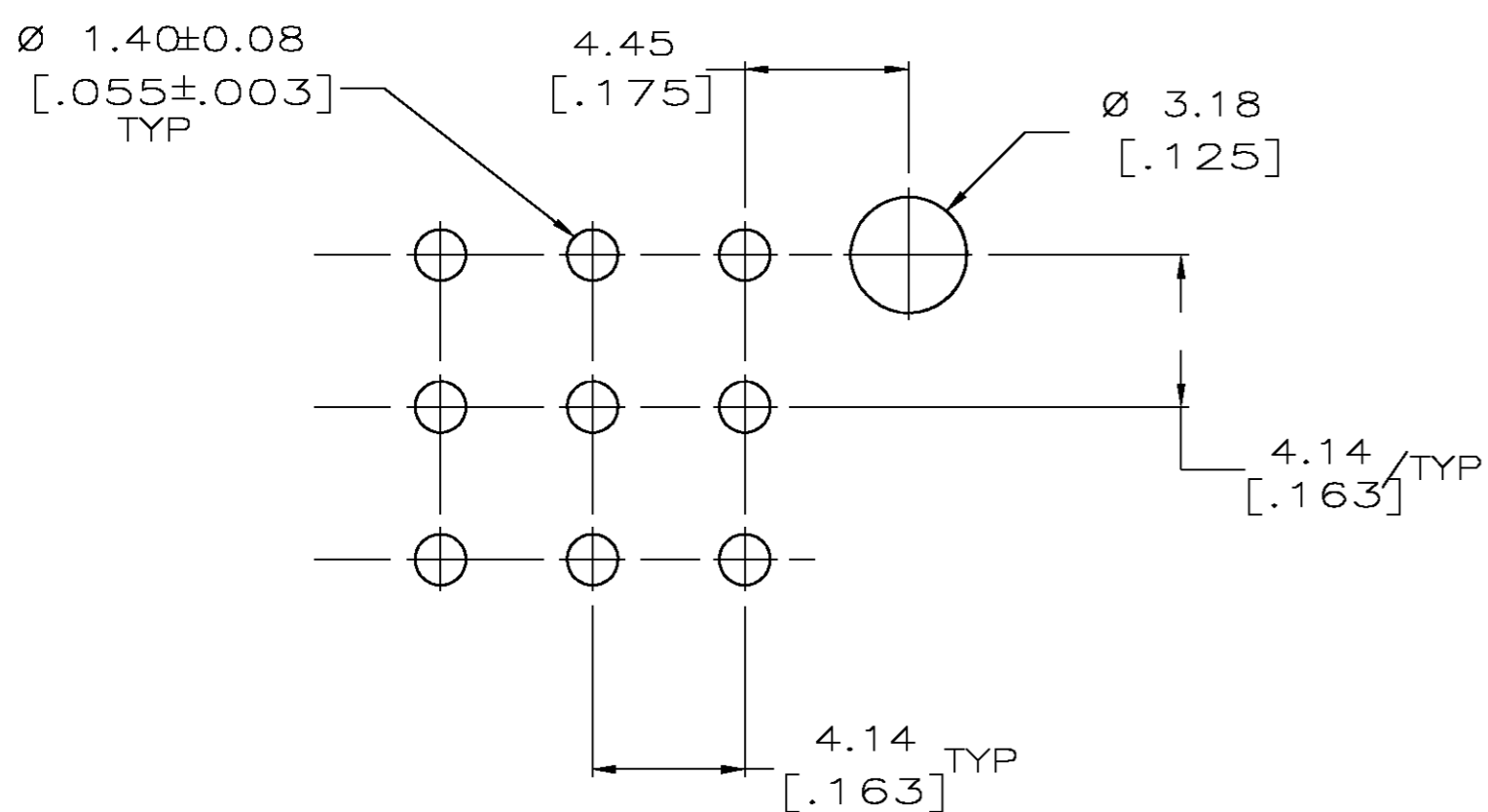
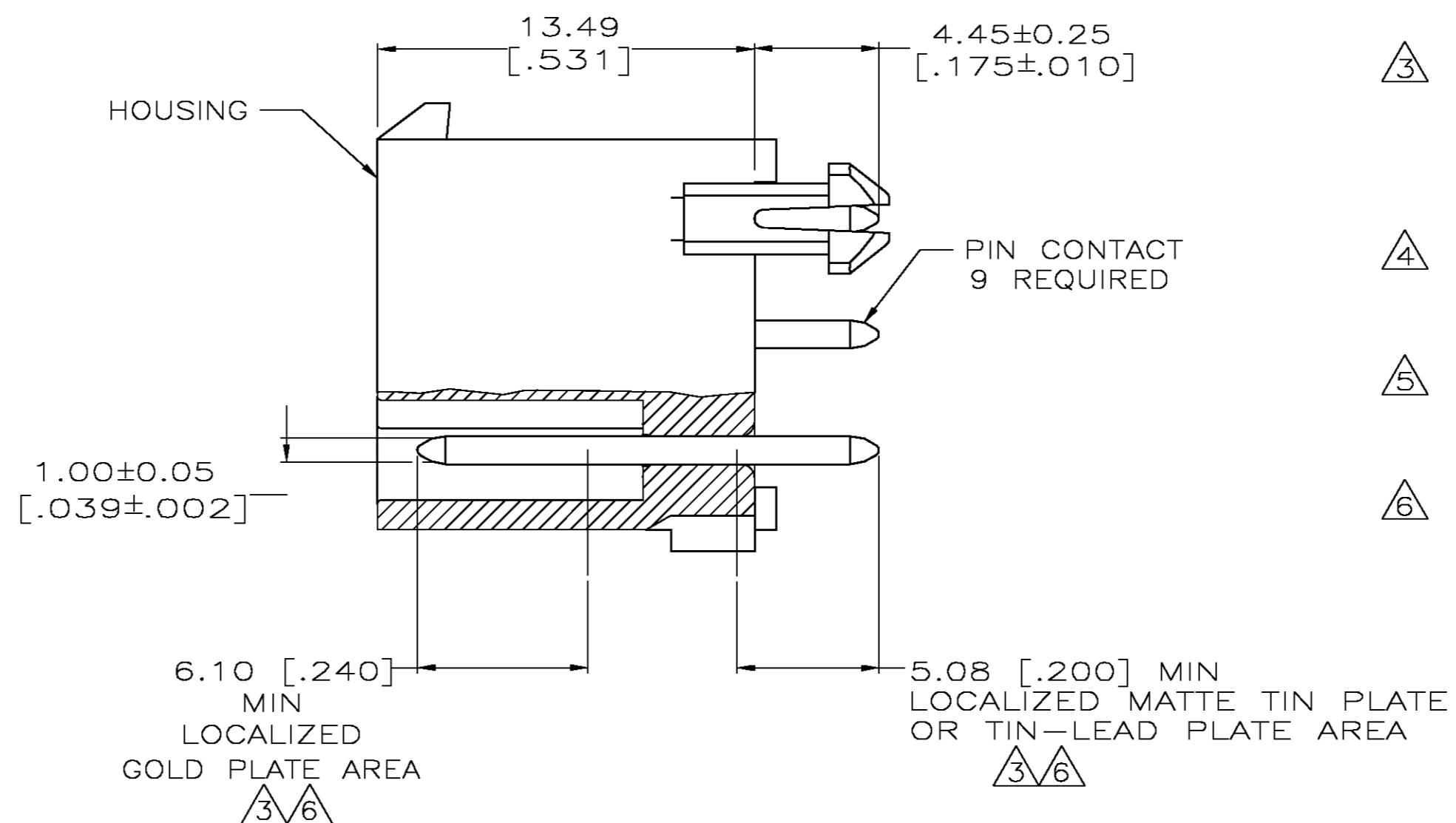
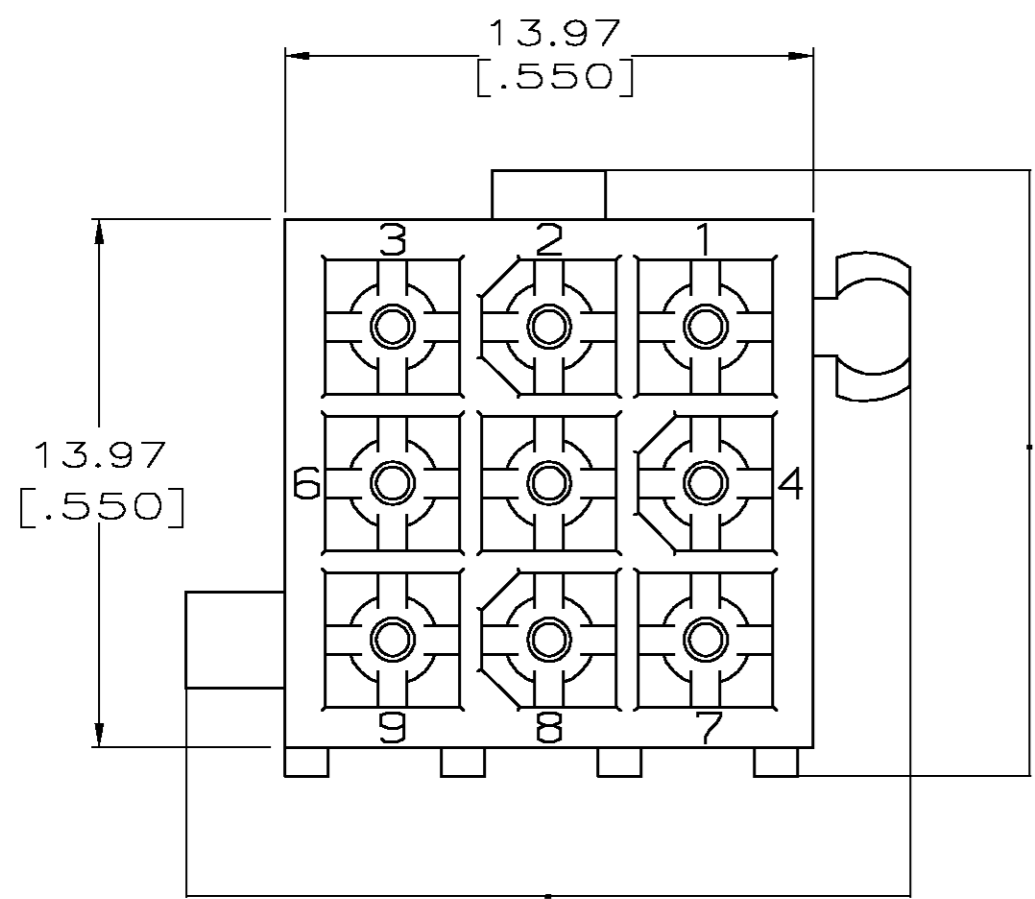


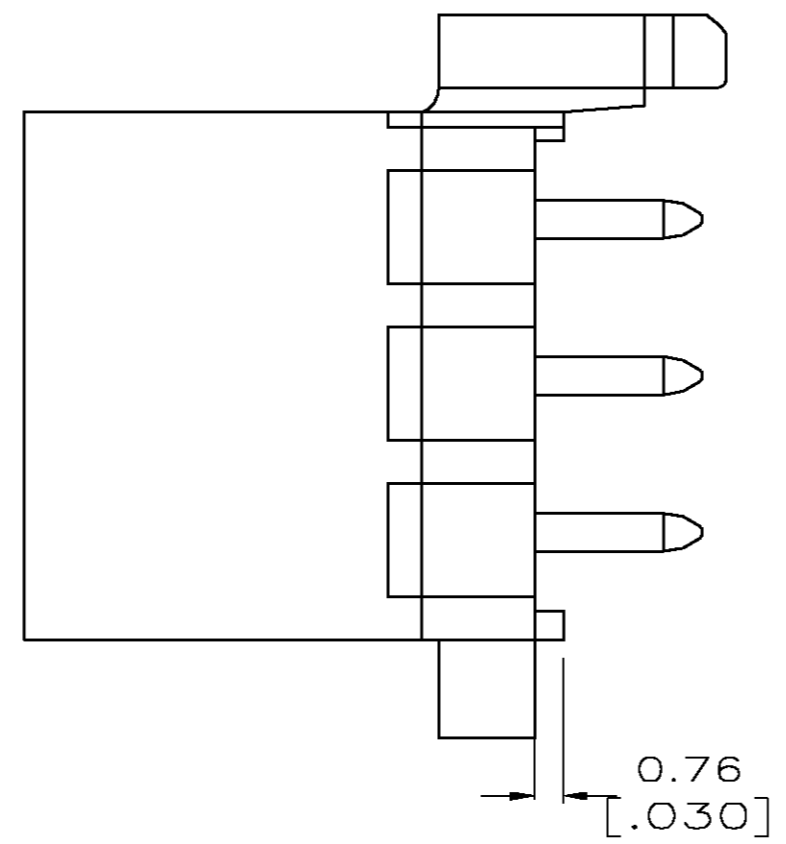
THIS DRAWING IS UNPUBLISHED. RELEASED FOR PUBLICATION  
 © COPYRIGHT BY TYCO ELECTRONICS CORPORATION. ALL RIGHTS RESERVED.

LOC	DIST	REVISIONS					
		P	LTR	DESCRIPTION	DATE	DWN	APVD
CM	0	F		REVISED PER 0G3B-0211-05	6/9/05	SS	RJ

- PINS TO COMPLY WITH AMP SOLDERABILITY SPEC. 109-11-3.
- DIMENSIONS SHOWN IN BRACKETS ARE IN INCHES.
- 0.00076 [.000030] MIN GOLD PLATE IN THE LOCALIZED GOLD PLATE AREA, 0.00381 [.000150] MATTE TIN LEAD IN THE LOCALIZED TIN LEAD PLATE AREA, BOTH OVER 0.00127 [.000050] MIN NICKEL.
- 0.00381 [.000150] MATTE TIN LEAD OVER 0.00127 [.000050] MIN NICKEL ENTIRE LENGTH OF PIN.
- 0.00381 [.000150] MATTE TIN OVER 0.00127 [.000050] MIN NICKEL ENTIRE LENGTH OF PIN.
- 0.00076 [.000030] MIN GOLD PLATE IN THE LOCALIZED GOLD PLATE AREA, 0.00381 [.000150] MATTE TIN IN THE LOCALIZED TIN PLATE AREA, BOTH OVER 0.00127 [.000050] MIN NICKEL.



RECOMMENDED LAYOUT FOR 1.57 [.062] THICK BOARD  
 TOLERANCES NON-ACCUMULATIVE



MATERIAL	FINISH	MATERIAL	COLOR	PART NO.
BRASS	△6	NYLON, UL94V-0	WHITE	1-770876-1
BRASS	△5	NYLON, UL94V-0	WHITE	1-770876-0
BRASS	△3	NYLON, UL94V-0	WHITE	770876-2
BRASS	△4	NYLON, UL94V-0	WHITE	770876-1

THIS DRAWING IS A CONTROLLED DOCUMENT.

DIMENSIONS: mm	TOLERANCES UNLESS OTHERWISE SPECIFIED:	DWN S CARPENTER 09JUN05	CHK R JONES 29JUL2003	APVD R JONES 29JUL2003	NAME
0 PLC ± -	1 PLC ± -	2 PLC ± 0.13	3 PLC ± -	4 PLC ± -	ANGLES ± -
MATERIAL	FINISH	WEIGHT	SCALE	SHEET	OF
-	-	-	5:1	1	1

Tyco Electronics Corporation  
 Harrisburg, Pa 17105-3608  
 HEADER ASSEMBLY  
 CLOSED BOTTOM, 9 CKT.  
 MINI UNIVERSAL MATE-N-LOK  
 SIZE A2 CAGE CODE 00779 DRAWING NO. C=770876  
 CUSTOMER DRAWING SCALE 5:1 SHEET 1 OF 1 REV F